

LR2 SERIES 50W

LR2 series wallpacks light collected a thin, smart and stylish shape, better cooling design and high lumen efficacy. We designed multiple mounting constructions for various mounting request. This series has got patent, and UL/ CUL certifications. suitable for wet locations.



1-323-826-9490

Customerservice@westgatemfg.com

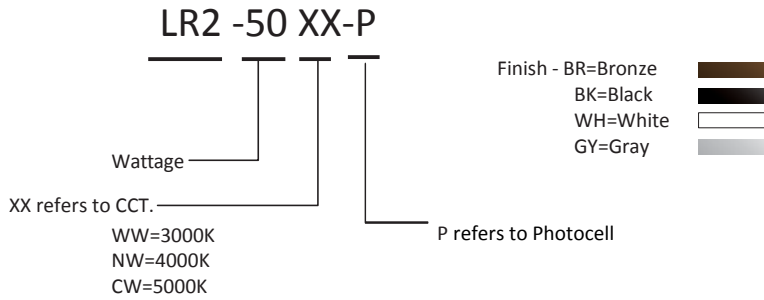
www.westgatemfg.com

FEATURES

- Housing: ADC12 Aluminum heat sink, outdoor powder coating
- Lens: High light transmittance PC, anti-UV and fire resistant
- LED: LUMILEDS LED 150LM/W CRI>80
- Driver: 100-277V/50-60Hz, PF>0.9, THD<20%
- Operating Temperature -20°~+40°
- Aluminum LED board: High conductive, waterproof, aging resistance, salt resistance
- PhotoCell is optional (Input voltage : 120V AC / 120-277V AC/50-60Hz)
- Make sure the safety and long lifetime
- Warranty: 5 years

PRODUCT NOMENCLATURE

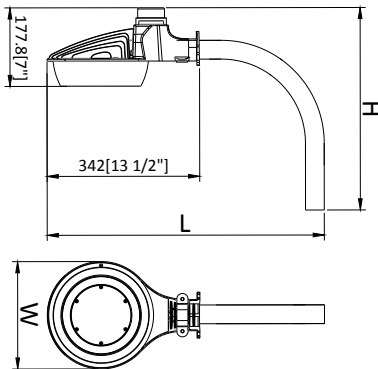
Example: LR2-50XX-P



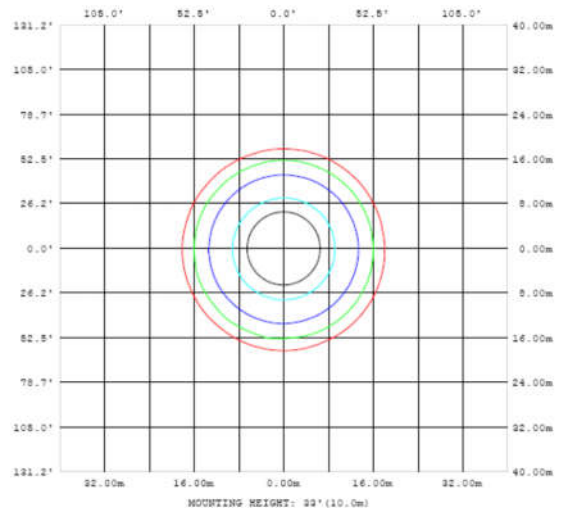
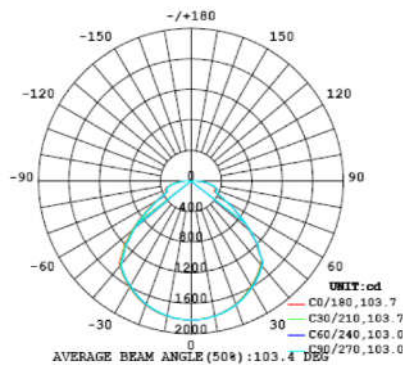
PRODUCT PARAMETER

MODEL	DIMENSION L*W*H	CERTIFICATE	VOLTAGE	CURRENT	WATT -8%~+5%	LUMENS 5700K	Efficiency	BEAM ANGLE	BUG	Photocell
LR2-50XX-P	610*240*540MM 24*9 1/2 *21 1/4 inch	UL/CUL	100-277VAC	0.6A	50W	5050LM	>101LM/W	103°	B2-U2-G1	Twist-lock

DIMENSION



PHOTOMETRY



PACKAGING INFORMATION

MODEL	INNER BOX SIZE	MASTER CARTON SIZE	Q'TY/CTN	WEIGHT(KG)	CUBICMETER(M ³)
LR2-50XX-P	360*250*150MM	370*265*320MM	2	6.72KG	0.0314